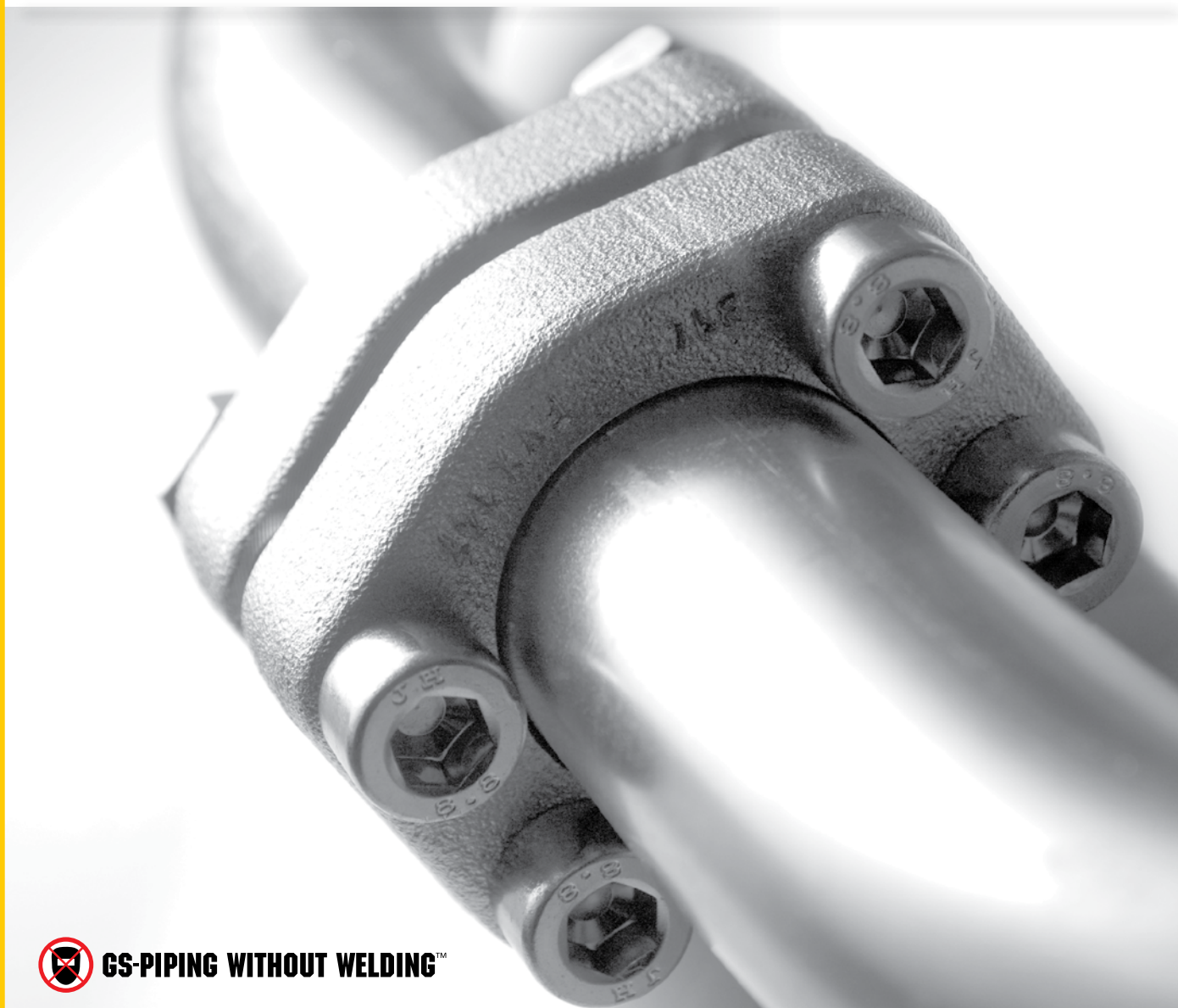


**GS-HYDRO**

# GS-37° Flare Flange System



 **GS-PIPING WITHOUT WELDING™**

  
**GS-Hydro**

## GS-HYDRO

# GS-37° Flare Flange System

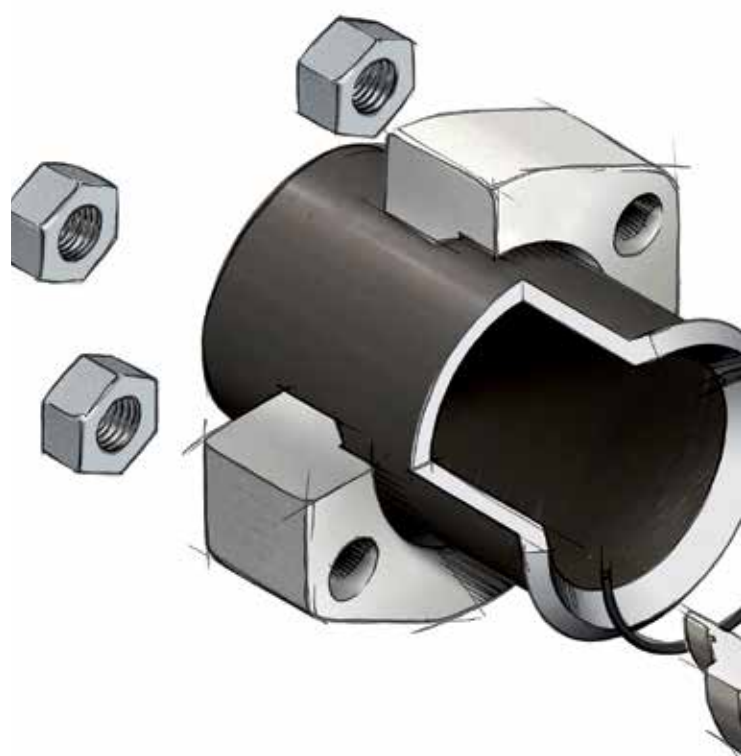
### GS-Piping Without Welding™

GS-Hydro is the world's leading supplier of non-welded piping technology and the Original Provider of the GS-Piping Without Welding™. GS-Hydro has over 40 years experience with hydraulic systems and non-welded connection technology.

### The Original GS-37° Flare Flange System

The reliable GS-37° Flare Flange System is of the highest quality and is fast and easy to connect. The cost efficient system is completely leak-free, with high joint integrity. Its connecting method allows piping systems with working pressures of up to 420 bar and pipe sizes of up to 90 mm to be assembled without welding. The GS-37° Flare Flange System can also be utilized for low pressure (< 50 bar) piping systems for pipe sizes from 25 to 273 mm.

GS-Hydro's flaring technology is fast and completely clean. In the flaring process the end of the tube is clamped into an in-house developed flaring machine where a conical rotating tool flares the pipe end into a dye. The flange is installed onto the pipe prior to flaring. The assembly is done by placing a flaring cone on both the flared pipe ends with a seal in-between. The flanges are then tightened together to complete the connection. As there is no welding involved there is no need for post-weld cleaning, x-raying or other inspections. Installations onsite are very quick and cost efficient due to the flexibility of the GS-37° Flare Flange System.



**The GS-37° Flare Flange System is approved by the following classification companies:**

<b>DNV GL</b>	DNV GL Group	<b>RS</b>	Russian Maritime Register of Shipping
<b>LR</b>	Lloyd's Register of Shipping	<b>NKK</b>	Nippon Kaiji Kyokai
<b>ABS</b>	American Bureau of Shipping	<b>CCS</b>	China Classification Society
<b>BV</b>	Bureau Veritas	<b>KR</b>	Korean Register
<b>RINA</b>	Registro Italiano Navale Group		

Piping systems according to other standards are also possible by request.

#### GS-37° Flare Flange System (technical data):

	SAE 50	SAE 3000	SEA 6000	ISO 6164
pressure* [bar]	50	210–350	420	350–400
size, pipe	50x3–273x6	16x2–90x5	16x2–90x9	50x5–90x9
size, flange	1 1/2"–10"	1/2"–3"	1/2"–3"	1 1/2"–3"
material, pipe	carbon steel, stainless steel, duplex, super duplex, titanium (materials having elongation above 20 %)			
material, flange	electric zincd carbon steel, hot dip galvanized carbon steel, stainless steel			
material, seal	electric zincd carbon steel, stainless steel			

\*) Maximum pressure depending on media

### Increase Customer's Revenue

- Short delivery times
- High cleanliness – improved longevity

## GS-Hydro Non-Welded Value

### Eliminate Risks

- Schedule risk
- Quality risk
- Welding risk

### Improve Efficiency

- Shorter on-site installation
- Quick flushing



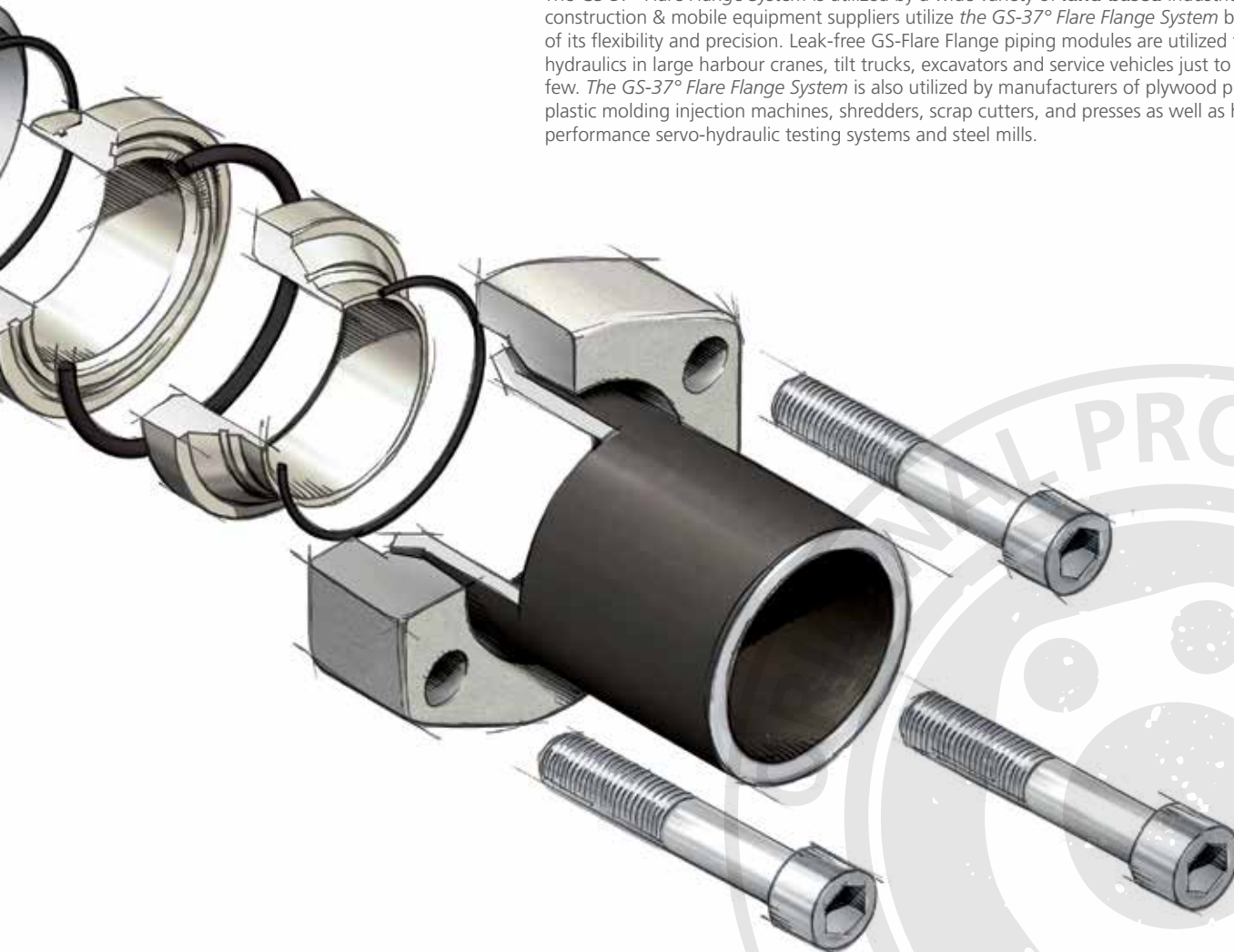
### Numerous application possibilities

The GS-37° Flare Flange System is used in a broad range of high and medium pressure piping applications in a wide variety of industries ranging from marine and offshore to different land-based industries.

The GS-37° Flare Flange System is utilized within the **offshore** industry for hydraulic piping on oil drilling and production platforms. High quality, quick assembly, and no "hot work" allow for safe and cost effective installation compared to conventional welding. The GS-37° Flare Flange System is also ideal for repair and maintenance work on oil and gas platforms.

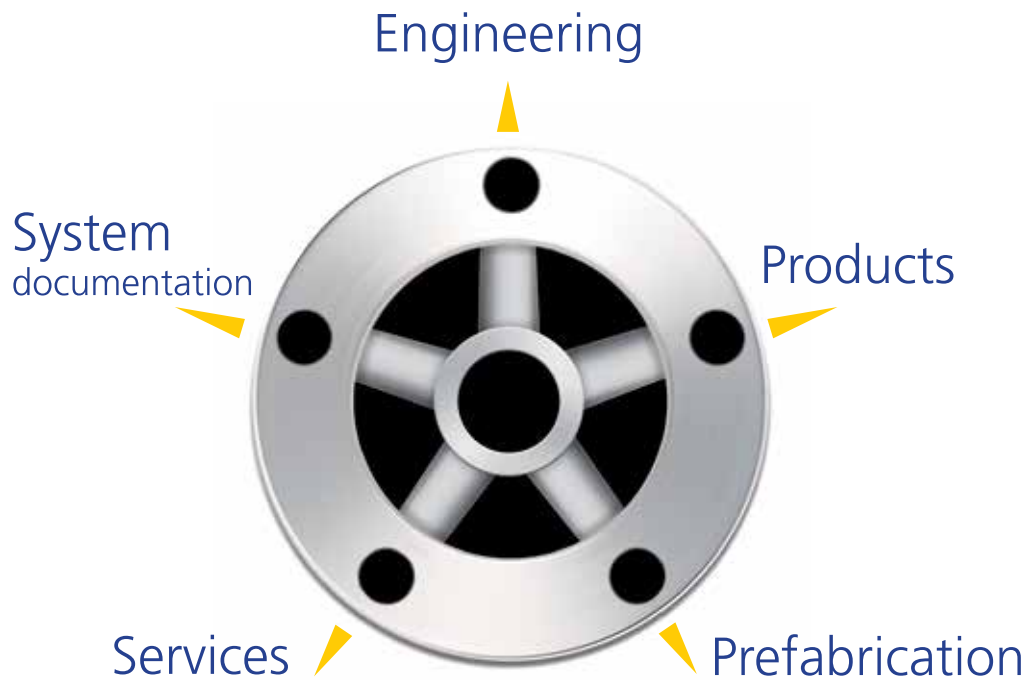
Within the **marine** industry the GS-37° Flare Flange System is used for hydraulic and other piping systems, where the high integrity and inherent cleanliness, fast installation times and flexible engineering bring major time and cost benefits. The hydraulic applications for vessels range from RoRo-ships to fishing boats and luxury cruisers. These include e.g. winches, hatch covers, ramps, high pressure sprinkler systems, thrusters and steering gear.

The GS-37° Flare Flange System is utilized by a wide variety of **land-based** industries. Many construction & mobile equipment suppliers utilize the GS-37° Flare Flange System because of its flexibility and precision. Leak-free GS-Flare Flange piping modules are utilized for the hydraulics in large harbour cranes, tilt trucks, excavators and service vehicles just to name a few. The GS-37° Flare Flange System is also utilized by manufacturers of plywood presses, plastic molding injection machines, shredders, scrap cutters, and presses as well as high-performance servo-hydraulic testing systems and steel mills.



**GS-Hydro** is the original provider of non-welded piping solutions with numerous benefits for a wide variety of demanding applications. We create value together with our customers by providing innovative fluid transfer solutions which enable safe operation, reduced environmental impact and lower total cost of ownership. We deliver our piping and hose solutions globally in more than twenty-five countries through own companies and partners.

## GS-Hydro system offering



[sales@gshydro.com](mailto:sales@gshydro.com)  
[www.gshydro.com](http://www.gshydro.com)

