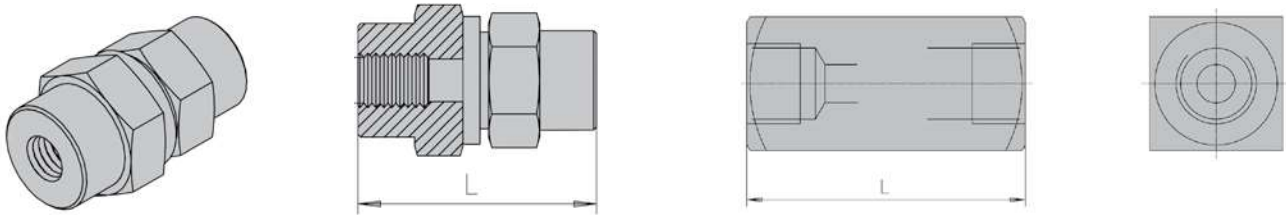


Non return valves



RHDI

RV

BSP

DN	Carbon steel		Data				Material	Flow
	Part No	ID Code	W.P.	G	L	Weight	Body	
4	RHDI 1/8 R	2201540100	550	1/8" BSP	43		1	NON RETURN
6	RHDI 1/4 R	2201540200	550	1/4" BSP	51		1	NON RETURN
8	RHDI 3/8 R	2201540400	550	3/8" BSP	60		1	NON RETURN
12	RHDI 1/2 R	2201540600	550	1/2" BSP	73		1	NON RETURN
15	RHDI 3/4 R	2201540800	550	3/4" BSP	84		1	NON RETURN
19	RHDI 1 R	2201541000	550	1" BSP	95		1	NON RETURN
24	RHDI 1 1/4 R	2201541200	400	1.1/4" BSP	110		1	NON RETURN
30	RHDI 1 1/2 R	2201541400	360	1.1/2" BSP	114		1	NON RETURN

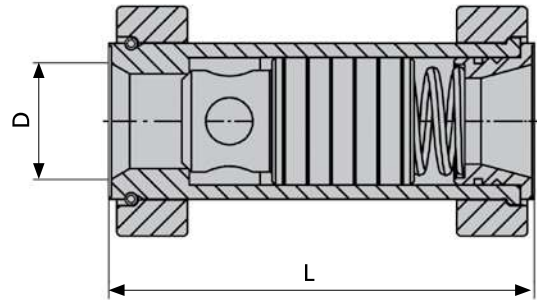
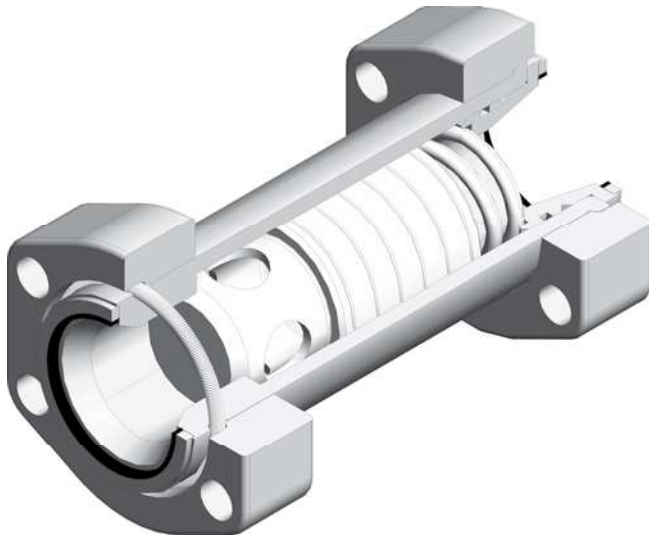
DN	Stainless steel		Data				Material	Flow
	Part No	ID Code	W.P.	G	L	Weight	Body	
4	RHDI 1/8 R 316	2202540200	400	1/8" BSP	43	0,079	4	NON RETURN
6	RHDI 1/4 R 316	2202540000	400	1/4" BSP	51	0,085	4	NON RETURN
8	RHDI 3/8 R 316	2202540400	400	3/8" BSP	60	0,163	4	NON RETURN
12	RHDI 1/2 R 316	2202540600	315	1/2" BSP	72	0,357	4	NON RETURN
15	RHDI 3/4 R 316	2202540800	250	3/4" BSP	84	0,674	4	NON RETURN
19	RHDI 1 R 316	2202541000	250	1" BSP	95	0,832	4	NON RETURN
24	RHDI 1 1/4 R 316	2202541200	250	1.1/4" BSP	110	1,596	4	NON RETURN
30	RHDI 1 1/2 R 316	2202541400	250	1.1/2" BSP	114	1,919	4	NON RETURN

DN	Carbon steel		Data				Material	Flow
	Part No	ID Code	W.P.	G	L	Weight	Body	
6	RV 1/8 R	2603520000	500	1/8" BSP	45	0,1	1	NON RETURN
8	RV 1/4 R	2603520100	500	1/4" BSP	55	0,2	1	NON RETURN
10	RV 3/8 R	2603520200	500	3/8" BSP	65	0,4	1	NON RETURN
12	RV 1/2 R	2603520300	500	1/2" BSP	73	0,7	1	NON RETURN
16	RV 3/4 R	2603520400	500	3/4" BSP	88	1,2	1	NON RETURN
20	RV 1 R	2603520500	500	1" BSP	127	2	1	NON RETURN
25	RV 1 1/4 R	2603520600	400	1.1/4" BSP	143	3,3	1	NON RETURN
30	RV 1 1/2 R	2603520700	350	1.1/2" BSP	143	4,2	1	NON RETURN
40	RV 2 R	2603520800	350	2" BSP	165	7,2	1	NON RETURN

DN	Stainless steel		Data				Material	Flow
	Part No	ID Code	W.P.	G	L	Weight	Body	
6	RV 1/8 R 316	2601520000	350	1/8" BSP	45	0,1	4	NON RETURN
8	RV 1/4 R 316	2601520100	350	1/4" BSP	55	0,2	4	NON RETURN
10	RV 3/8 R 316	2601520200	350	3/8" BSP	65	0,4	4	NON RETURN
12	RV 1/2 R 316	2601520300	350	1/2" BSP	73	0,7	4	NON RETURN
16	RV 3/4 R 316	2601520400	350	3/4" BSP	88	1,2	4	NON RETURN
20	RV 1 R 316	2601520500	350	1" BSP	127	2	4	NON RETURN
25	RV 1 1/4 R 316	2601520600	350	1.1/4" BSP	143	3,3	4	NON RETURN
30	RV 1 1/2 R 316	2601520700	350	1.1/2" BSP	143	4,2	4	NON RETURN
40	RV 2 R 316	2601520800	350	2" BSP	165	7,2	4	NON RETURN

RV non-return valve also available with NPT and UN(F) threads. Other materials available on request.

Non return valves



Non return valve with GS-flange connections SAE 3000 psi

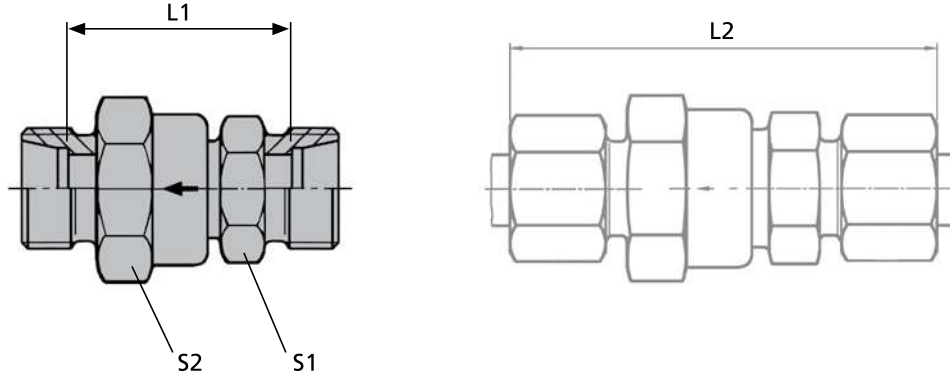
Size	Complete Part No	ID Code	W.P. [bar]	L	D	Weight [kg]
3/4"	312135	1912010000	350	100	21	1.3
1"	316135	1912011000	350	120	24	1.3
1 1/4"	320135	1912012000	280	140	31	2.0
1 1/2"	324135	1912013000	280	155	38	3.5
2"	332135	1912014000	280	180	49	4.4
2 1/2"	340135	1912014200	210	190	61	6.6
3"	348135	1912014400	210	200	73	9.6

Non return valve with GS-flange connections SAE 6000 psi

Size	Complete Part No	ID Code	W.P. [bar]	L	D	Weight [kg]
3/4"	612135	1912016000	420	100	21	1.30
1"	616135	1912017000	420	120	24	1.70
1 1/4"	620135	1912018000	420	140	31	2.70
1 1/2"	624135	1912019000	420	155	38	4.00
2"	632135	1912020000	420	180	49	6.70

Body material:
 Standard= carbon steel
 Stainless steel= add SS after Part No
 Standard opening pressure= 0.5 bar. On request 1.5 bar to 3 bar.

Non return valves

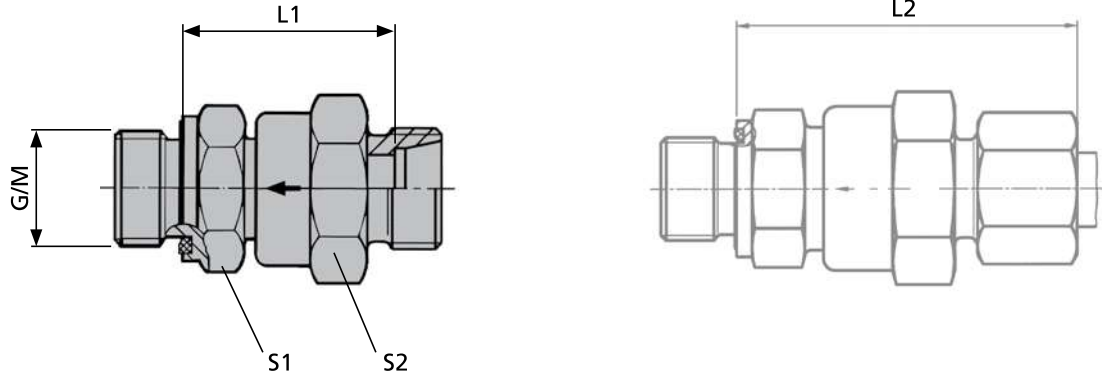


Non Return Valve With Tube Connections

Series	PN	Pipe O.D.	Part No	ID Code CS	ID Code SS	L1	L2	S1	S2
L	400	6	RHDK 06 L	2201600000	2202600000	38	67	22	27
	400	8	RHDK 08 L	2201601000	2202601000	38	67	22	27
	400	10	RHDK 10 L	2201602000	2202602000	38	67	22	27
	400	12	RHDK 12 L	2201603000	2202603000	39	68	22	27
	400	15	RHDK 15 L	2201604500	2202604500	44	74	27	32
	400	18	RHDK 18 L	2201605500	2202605500	48	80	27	32
	250	22	RHDK 22 L	2201606500	2202606500	60	92	41	46
	250	28	RHDK 28 L	2201607500	2202607500	66	99	41	46
	250	35	RHDK 35 L	2201608500	2202608500	71	114	60	70
	250	42	RHDK 42 L	2201619500	2202619500	65	101	60	70
S	400	6	RHDK 06 S	2201600500	2202600500	42	71	22	27
	400	8	RHDK 08 S	2201601500	2202601500	38	67	22	27
	400	10	RHDK 10 S	2201602500	2202602500	39	71	22	27
	400	12	RHDK 12 S	2201603500	2202603500	40	72	22	27
	400	14	RHDK 14 S	2201604000	2202604000	46	81	27	32
	400	16	RHDK 16 S	2201605000	2202605000	48	84	27	32
	400	20	RHDK 20 S	2201606000	2202606000	57	100	41	46
	250	25	RHDK 25 S	2201607000	2202607000	57	105	41	46
	250	30	RHDK 30 S	2201608000	2202608000	64	117	50	55
	250	38	RHDK 38 S	2201609000	2202609000	67	128	60	70

Openin pressure 1,0 bar (opening 0,5–3 bar available on request).
 CS= carbon steel with zinc plating
 SS= stainless steel. Add 316 to end of Part No
 All codes are valve body only. Nut and cutting ring must be ordered separately.

Non return valves

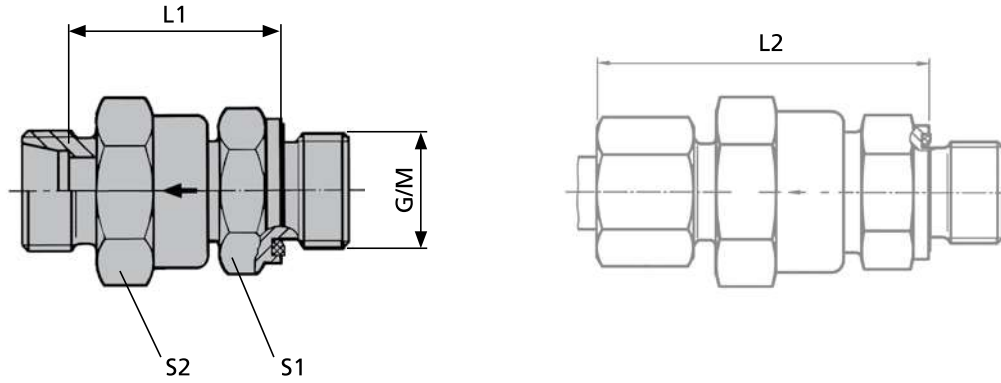


Non Return Valve With Male Stud With ED-sealing and Tube Connection

Series	Pipe O.D.	G thread with ED	PN	Part No	ID Code CS	L1	L2	S1	S2
L	6	1/8	400	RHZK 06 LR ED	2201670000	36	50,5	22	27
	8	1/4	400	RHZK 08 LR ED	2201672000	36	50,5	22	27
	10	1/4	400	RHZK 10 LR ED	2201674000	34	48,5	22	27
	12	3/8	400	RHZK 12 LR ED	2201676000	39	53,5	22	27
	15	1/2	400	RHZK 15 LR ED	2201679000	41	56	27	32
	18	1/2	400	RHZK 18 LR ED	2201684500	45,5	61,5	27	32
	22	3/4	250	RHZK 22 LR ED	2201682500	53,5	69,5	41	46
	28	1	250	RHZK 28 LR ED	2201685000	60,5	77	41	46
	35	1 1/4	250	RHZK 35 LR ED	2201687000	67	88,5	60	70
	42	1 1/2	250	RHZK 42 LR ED	2201689000	64,5	87,5	60	70
S	6	1/4	400	RHZK 06 SR ED	2201671000	38	52,5	22	27
	8	1/4	400	RHZK 08 SR ED	2201673000	36	50,5	22	27
	10	3/8	400	RHZK 10 SR ED	2201675000	37,5	53,5	22	27
	12	3/8	400	RHZK 12 SR ED	2201677000	39,5	55,5	22	27
	14	1/2	400	RHZK 14 SR ED	2201677700	42	59,5	27	32
	16	1/2	400	RHZK 16 SR ED	2201680000	44,5	62,5	27	32
	20	3/4	400	RHZK 20 SR ED	2201682000	52,5	74	41	46
	25	1	250	RHZK 25 SR ED	2201684000	53	77	41	46
	30	1 1/4	250	RHZK 30 SR ED	2201686000	60,5	87	50	55
	38	1 1/2	250	RHZK 38 SR ED	2201687500	65,5	96	60	70
		M thread with ED				L1	L2	S1	S2
L	8	M 12x1,5	400	RHZK 08 LM ED	2201671500	36	50,5	22	27
	10	M 14x1,5	400	RHZK 10 LM ED	2201673500	34	48,5	22	27
	12	M 16x1,5	400	RHZK 12 LM ED	2201677600	39	53,5	22	27
	15	M 18x1,5	400	RHZK 15 LM ED	2201678500	41	56	27	32
	18	M 22x1,5	400	RHZK 18 LM ED	2201680500	45,5	61,5	27	32
	22	M 26x1,5	250	RHZK 22 LM ED	2201683000	53,5	69,5	41	46
	28	M 33x2	250	RHZK 28 LM ED	2201684520	60,5	77	41	46
	35	M 42x2	250	RHZK 35 LM ED	2201686500	67	88,5	60	70
S	8	M 14x1,5	400	RHZK 08 SM ED	2201672500	36	50,5	22	27
	10	M 16x1,5	400	RHZK 10 SM ED	2201674500	37,5	53,5	22	27
	12	M 18x1,5	400	RHZK 12 SM ED	2201676500	39,5	55,5	22	27
	16	M 22x1,5	400	RHZK 16 SM ED	2201679500	44,5	62,5	27	32
	20	M 27x2	400	RHZK 20 SM ED	2201681500	52,5	74	41	46
	25	M 33x2	250	RHZK 25 SM ED	2201683500	53	77	41	46
	38	M 48x2	250	RHZK 38 SM ED	2201687300	65,5	96	60	70

Openin pressure 1,0 bar (opening 0,5–3 bar available on request).
 CS= carbon steel with zinc plating
 SS= stainless steel. Add 316 to end of Part No
 All codes are valve body only. Nut and cutting ring must be ordered separately.

Non return valves



Non Return Valve With Male Stud With ED-sealing and Tube Connection

Series	Pipe O.D.	G thread with ED	PN	Part No	ID Code CS	L1	L2	S1	S2
L	6	1/8	400	RHVK 06 LR ED	2201960000	36	50,5	22	27
	8	1/4	400	RHVK 08 LR ED	2201632500	36	50,5	22	27
	10	1/4	400	RHVK 10 LR ED	2201634500	34	48,5	22	27
	12	3/8	400	RHVK 12 LR ED	2201636500	39	53,5	22	27
	15	1/2	400	RHVK 15 LR ED	2201639500	41	56	27	32
	18	1/2	400	RHVK 18 LR ED	2201641500	45,5	61,5	27	32
	22	3/4	250	RHVK 22 LR ED	2201643500	53,5	69,5	41	46
	28	1	250	RHVK 28 LR ED	2201645500	60,5	77	41	46
	35	1 1/4	250	RHVK 35 LR ED	2201647500	67	88,5	60	70
42	1 1/2	250	RHVK 42 LR ED	2201649500	64,5	87,5	60	70	
S	6	1/4	400	RHVK 06 SR ED	2201631000	38	52,5	22	27
	8	1/4	400	RHVK 08 SR ED	2201962800	36	50,5	22	27
	10	3/8	400	RHVK 10 SR ED	2201635500	37,5	53,5	22	27
	12	3/8	400	RHVK 12 SR ED	2201637500	39,5	55,5	22	27
	14	1/2	400	RHVK 14 SR ED	2201638100	42	59,5	27	32
	16	1/2	400	RHVK 16 SR ED	2201640500	44,5	62,5	27	32
	20	3/4	400	RHVK 20 SR ED	2201642500	52,5	74	41	46
	25	1	250	RHVK 25 SR ED	2201644500	53	77	41	46
	30	1 1/4	250	RHVK 30 SR ED	2201646500	60,5	87	50	55
	38	1 1/2	250	RHVK 38 SR ED	2201648500	65,5	96	60	70
		M thread with ED				L1	L2	S1	S2
L	8	M 12x1,5	400	RHVK 08 LM ED	2201961400	36	50,5	22	27
	10	M 14x1,5	400	RHVK 10 LM ED	2201634000	34	48,5	22	27
	12	M 16x1,5	400	RHVK 12 LM ED	2201636000	39	53,5	22	27
	15	M 18x1,5	400	RHVK 15 LM ED	2201639000	41	56	27	32
	18	M 22x1,5	400	RHVK 18 LM ED	2201641000	45,5	61,5	27	32
	22	M 26x1,5	250	RHVK 22 LM ED	2201643000	53,5	69,5	41	46
28	M 33x2	250	RHVK 28 LM ED	2201645000	60,5	77	41	46	
S	10	M 16x1,5	400	RHVK 10 SM ED	2201635000	67	88,5	60	70
	12	M 18x1,5	400	RHVK 12 SM ED	2201637000	36	50,5	22	27
	14	M 20x1,4	400	RHVK 14 SM ED	2201638000	37,5	53,5	22	27
	16	M 22x1,5	400	RHVK 16 SM ED	2201640000	39,5	55,5	22	27
	20	M 27x2	400	RHVK 20 SM ED	2201642000	44,5	62,5	27	32
	25	M 33x2	250	RHVK 25 SM ED	2201644000	52,5	74	41	46
	30	M 42x2	250	RHVK 30 SM ED	2201646000	53	77	41	46
	38	M 48x2	250	RHVK 38 SM ED	2201648000	65,5	96	60	70

Openin pressure 1,0 bar (opening 0,5–3 bar available on request).
 CS= carbon steel with zinc plating
 SS= stainless steel. Add 316 to end of Part No
 All codes are valve body only. Nut and cutting ring must be ordered separately.